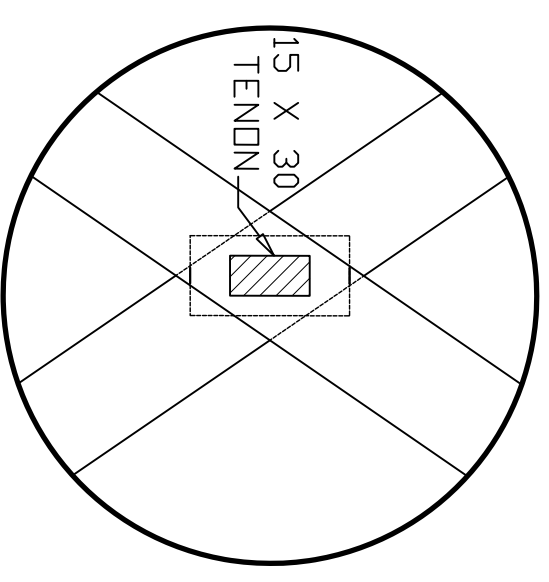
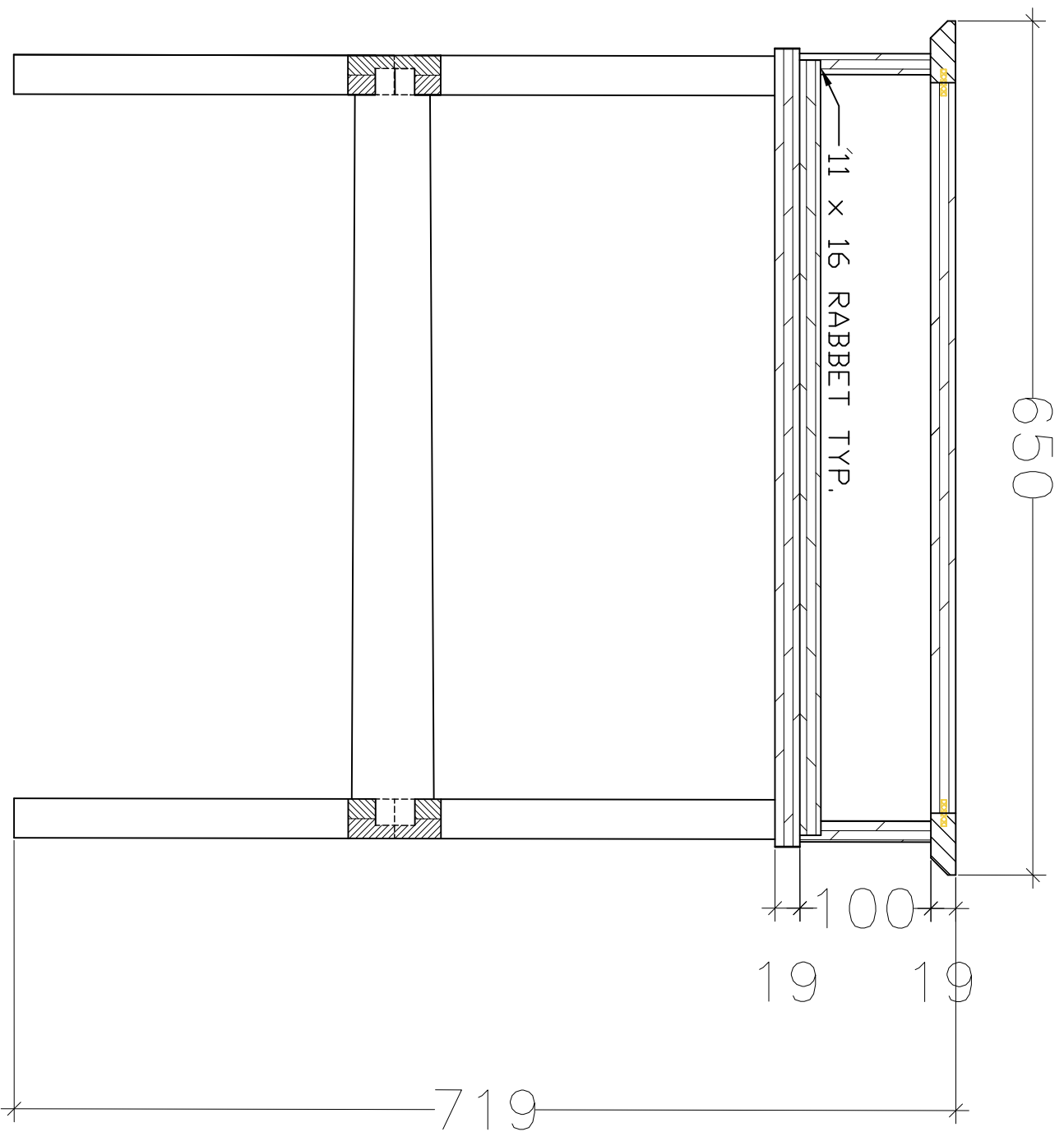


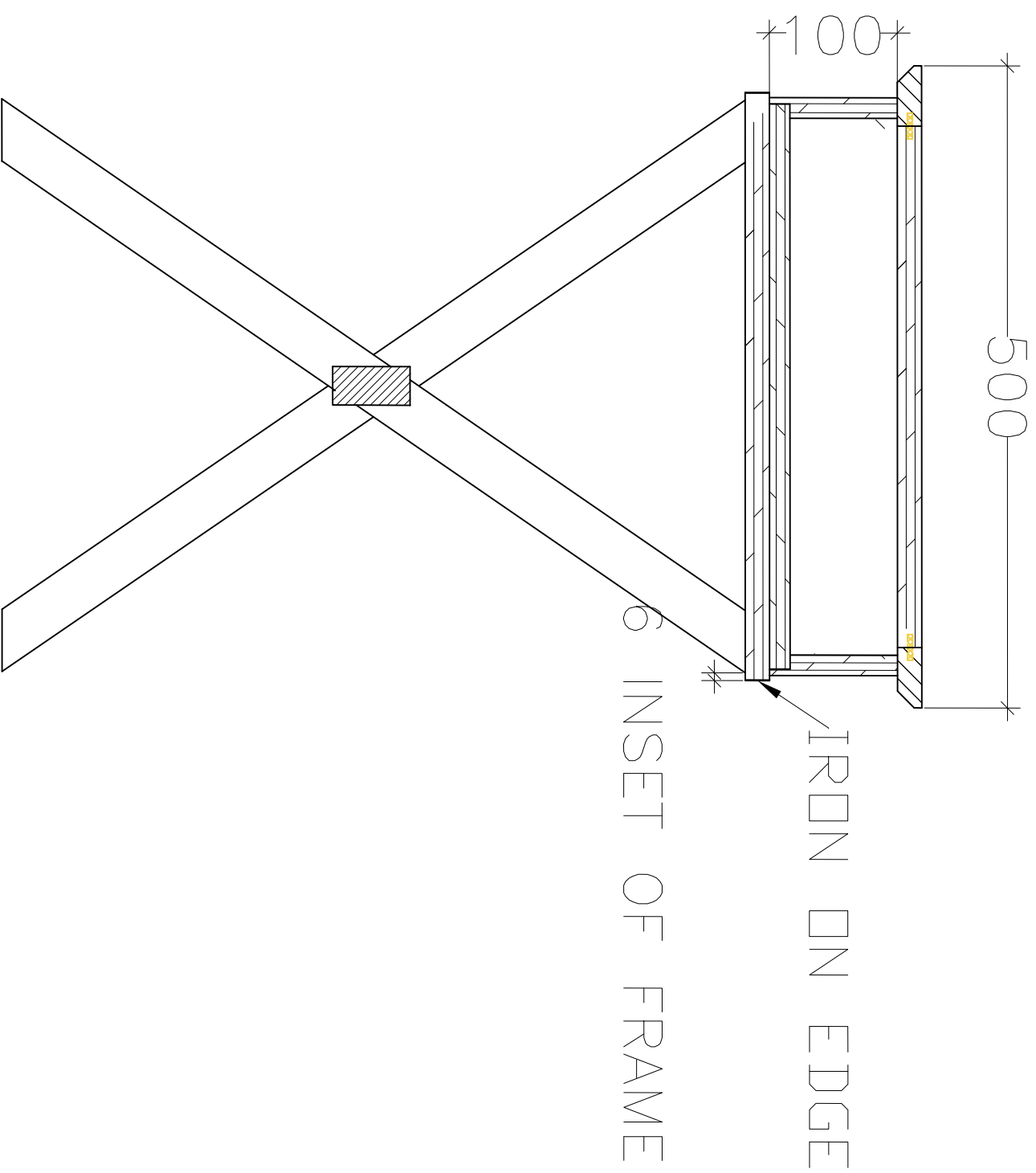
Detail 1
Scale 1:3



Detail 2
Scale 1:3

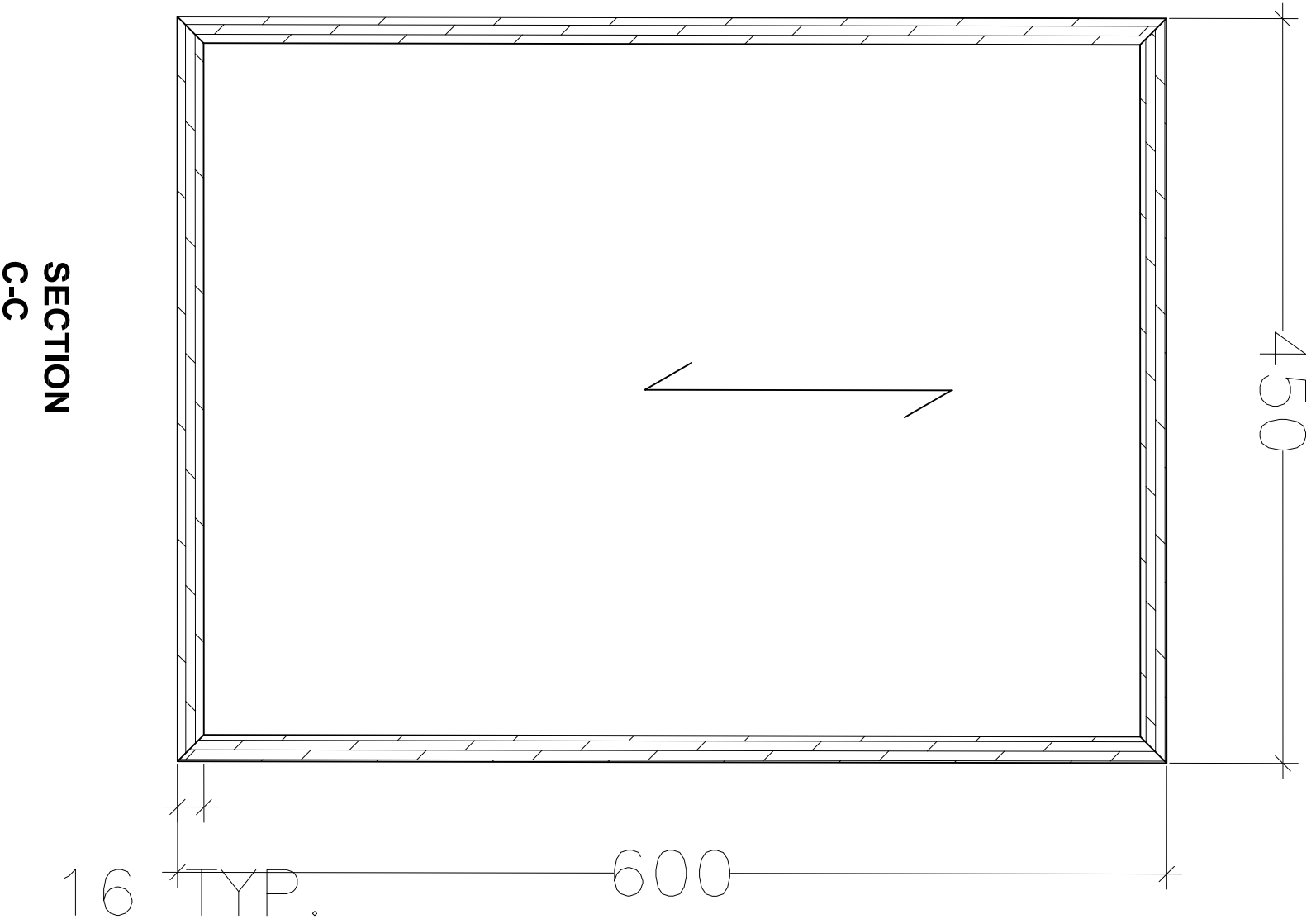


**SECTION
A-A**



**SECTION
B-B**

Skills Manitoba Cabinetmaking 2018		Page # 2 of 3
Drawn by: TAB	Scale 1:10	Feb 2018



Skills Manitoba Cabinetmaking 2018	Page # 3 of 3
Drawn by: TAB	Scale 1:10 Feb 2018