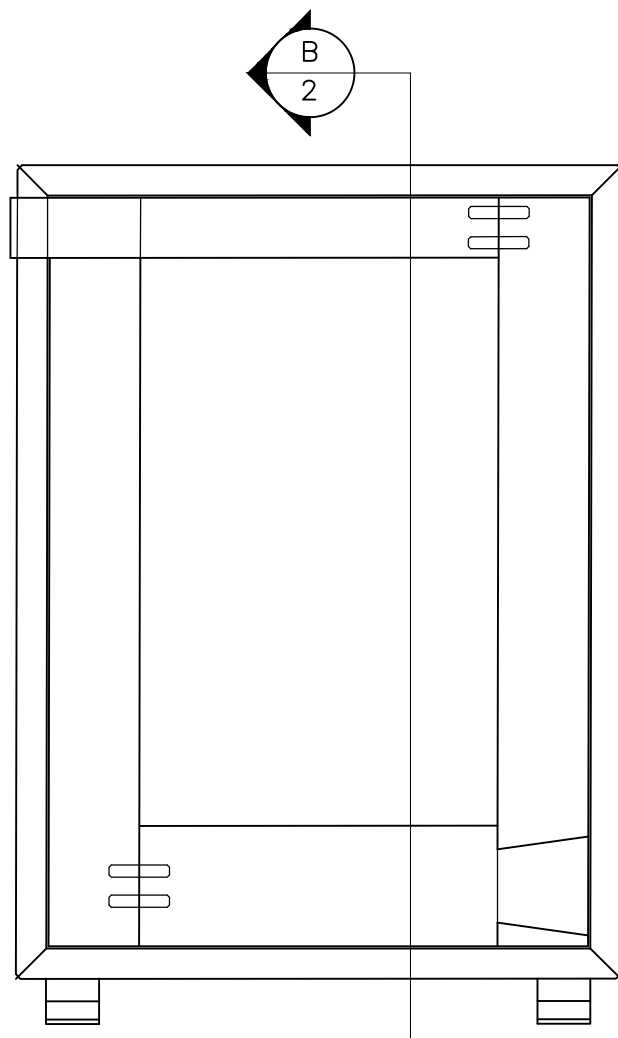
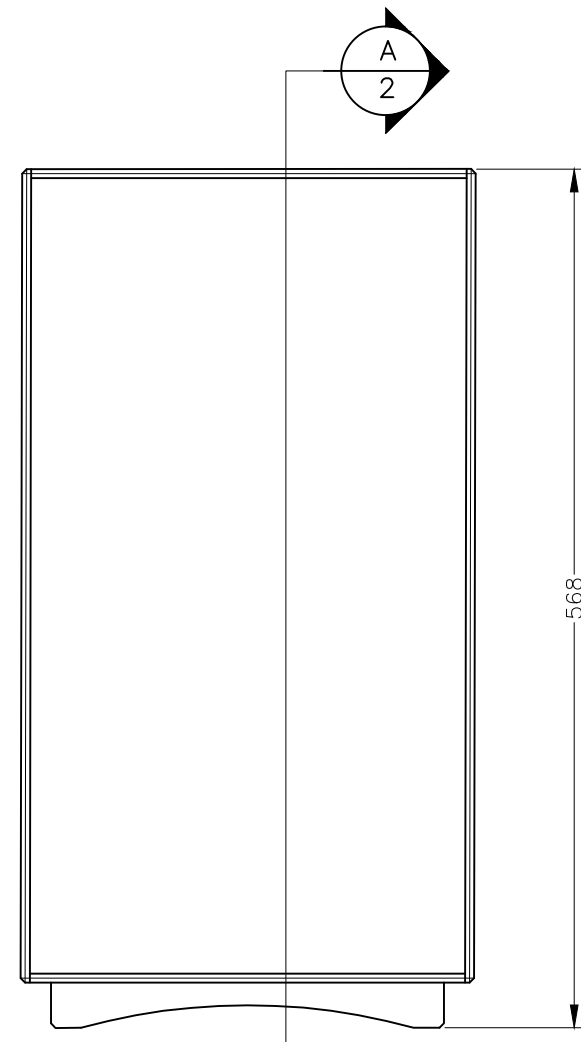


PLAN VIEW
SCALE = 1:5



ELEVATION
SCALE = 1:5



SIDE VIEW
SCALE = 1:5



CABINET MAKING #24 S

WINNIPEG 2017

END_TABLE

NOTES:

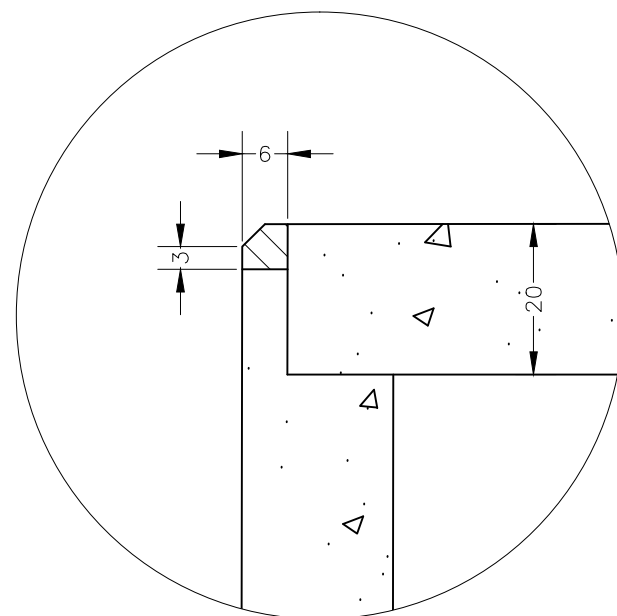
- ALL CHAMFERS 3 MM X 3 MM UNLESS OTHERWISE NOTED
- ACOUME TO BE USED FOR ALL SOLID
- SHEET GOOD THICKNESS MAY VARY. CONFIRM WITH ACTUAL MATERIAL
-

ALL DIMENSIONS IN METRIC

NOTES:

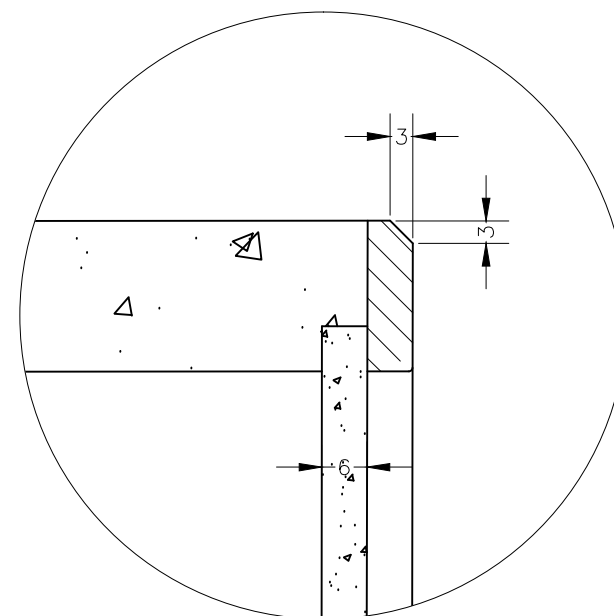
- ALL CHAMFERS 3 MM X 3 MM UNLESS OTHERWISE NOTED
- ACOUME TO BE USED FOR ALL SOLID
- SHEET GOOD THICKNESS MAY VARY. CONFIRM WITH ACTUAL MATERIAL

ALL DIMENSIONS IN METRIC



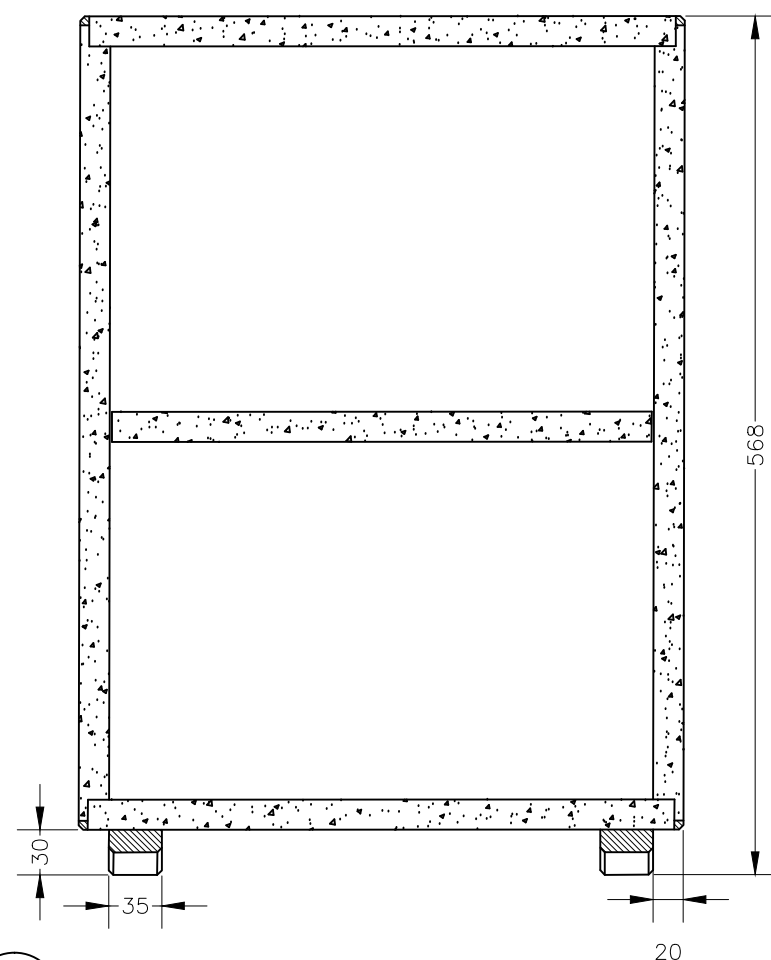
CORNER FRONT DETAIL

SCALE = 1:1

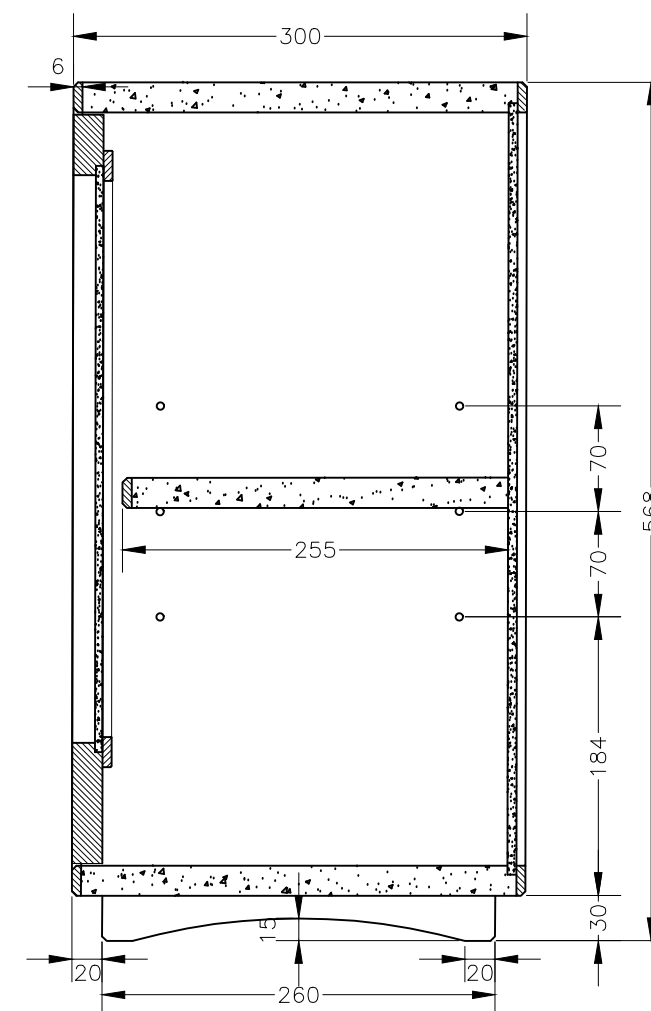


SIDE APRON DETAIL

SCALE = 1:1



A
2 SECTION
SCALE = 1:5



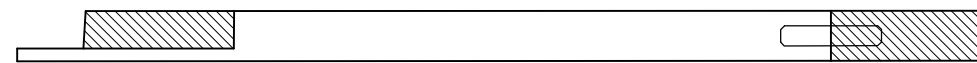
B
2 SECTION
SCALE = 1:5

NOTES:

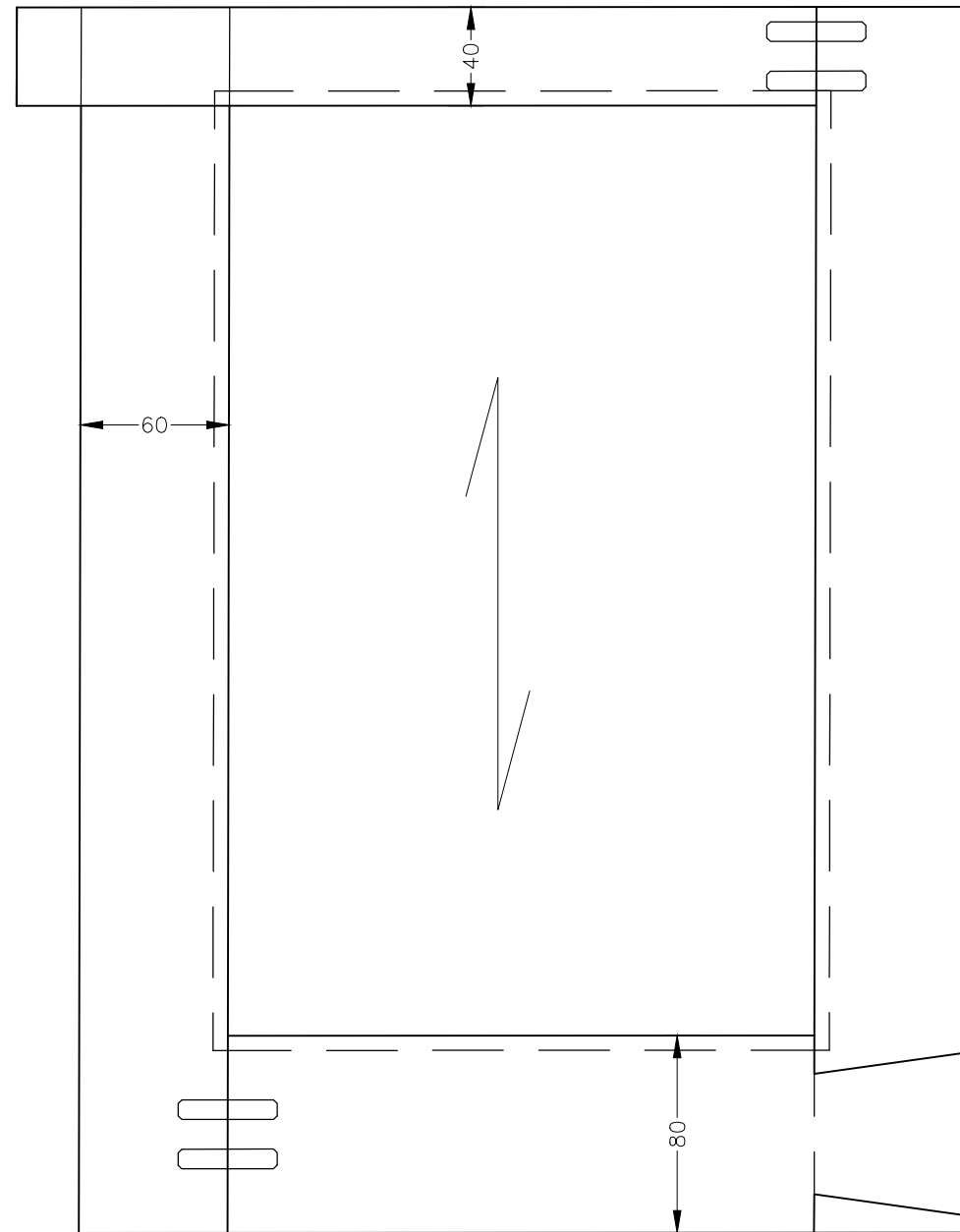
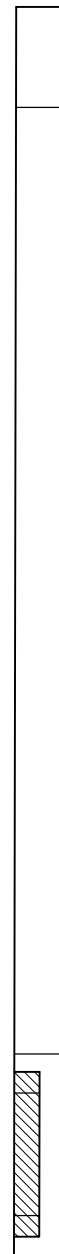
- ALL CHAMFERS 3 MM X 3 MM UNLESS OTHERWISE NOTED
- ACOUME TO BE USED FOR ALL SOLID
- SHEET GOOD THICKNESS MAY VARY. CONFIRM WITH ACTUAL MATERIAL

ALL DIMENSIONS IN METRIC

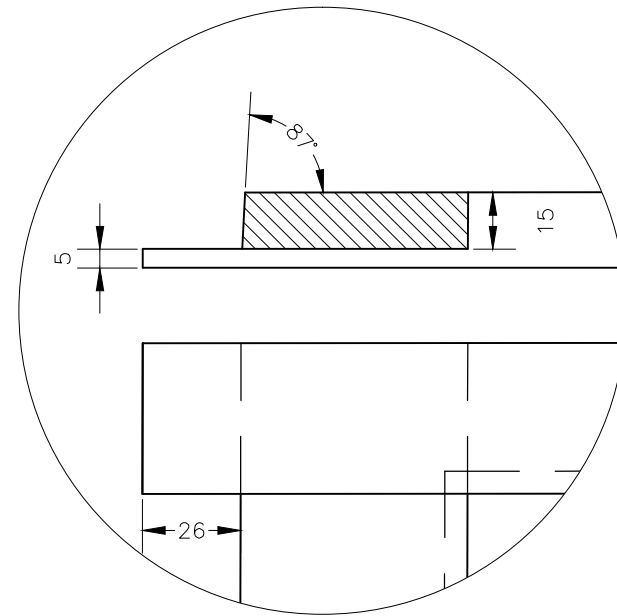
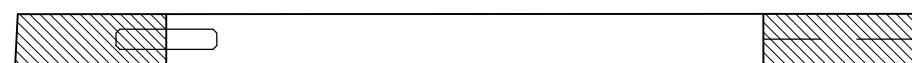
DETAIL A



DETAIL B

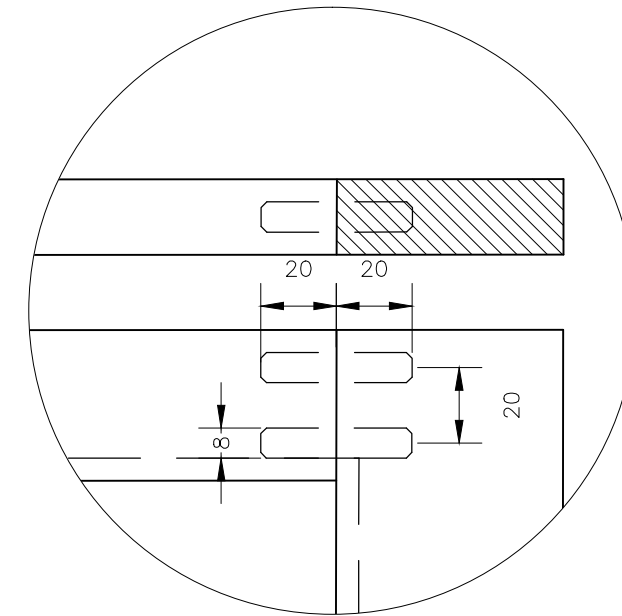


DETAIL C



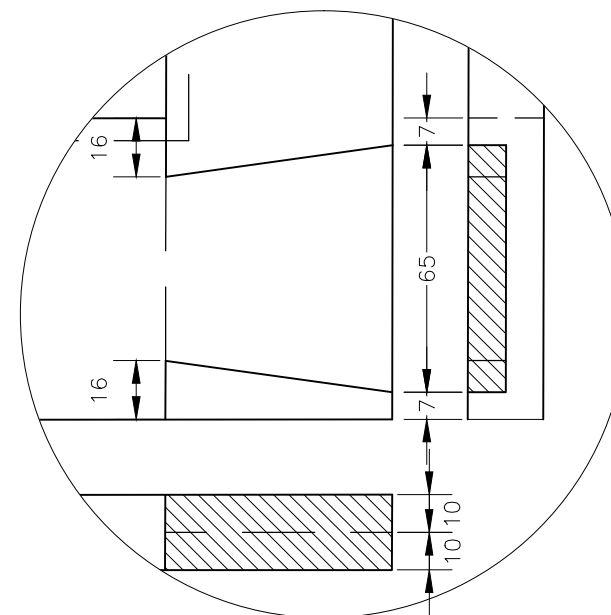
DETAIL

SCALE = 1:2



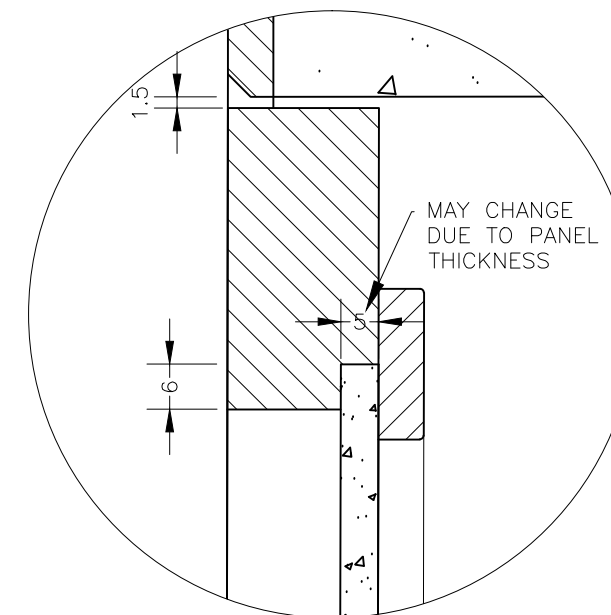
DETAIL

SCALE = 1:2



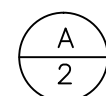
DETAIL

SCALE = 1:2



DOOR PANEL DETAIL

SCALE = 1:1



DOOR

SCALE = 1:3