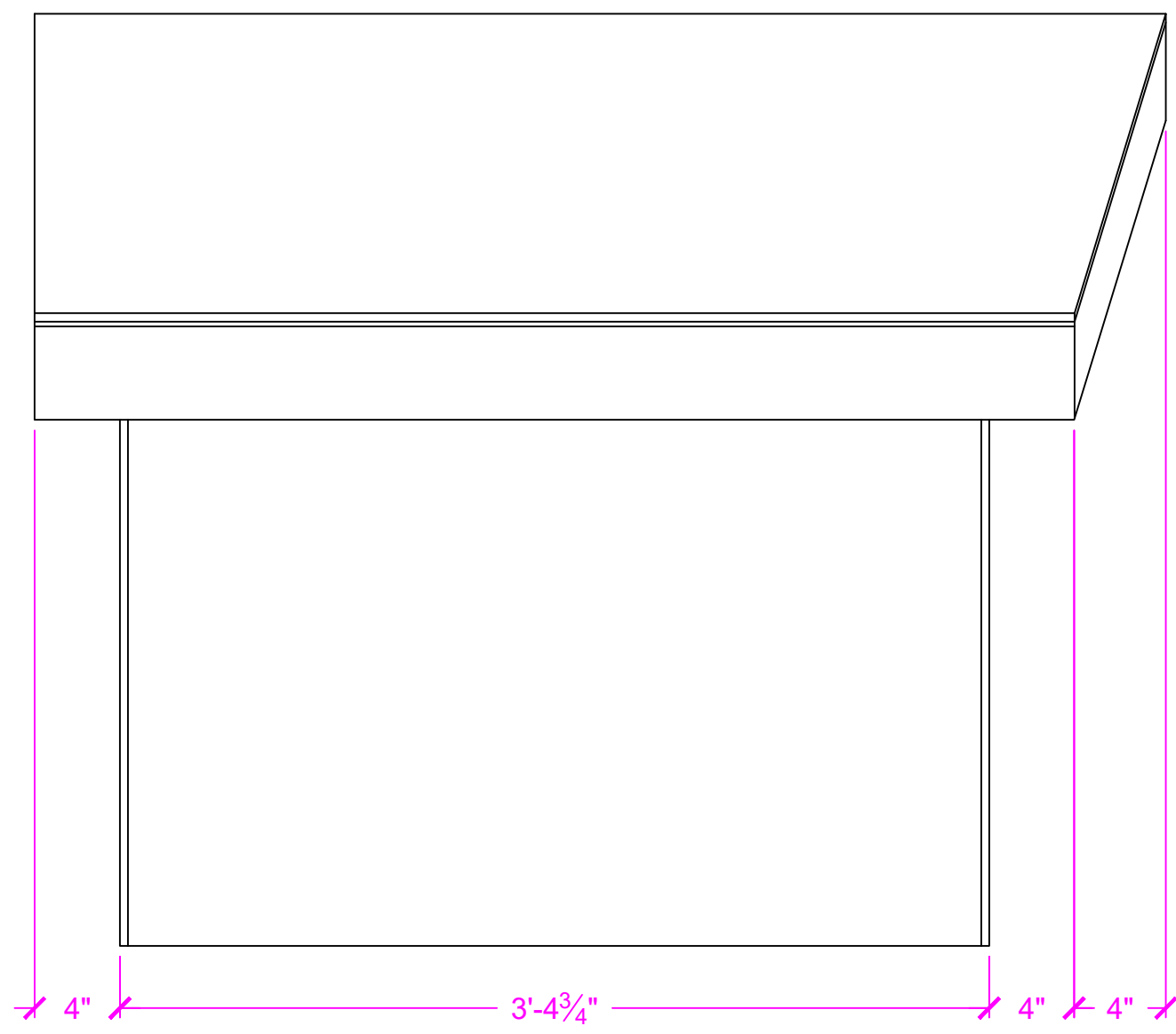
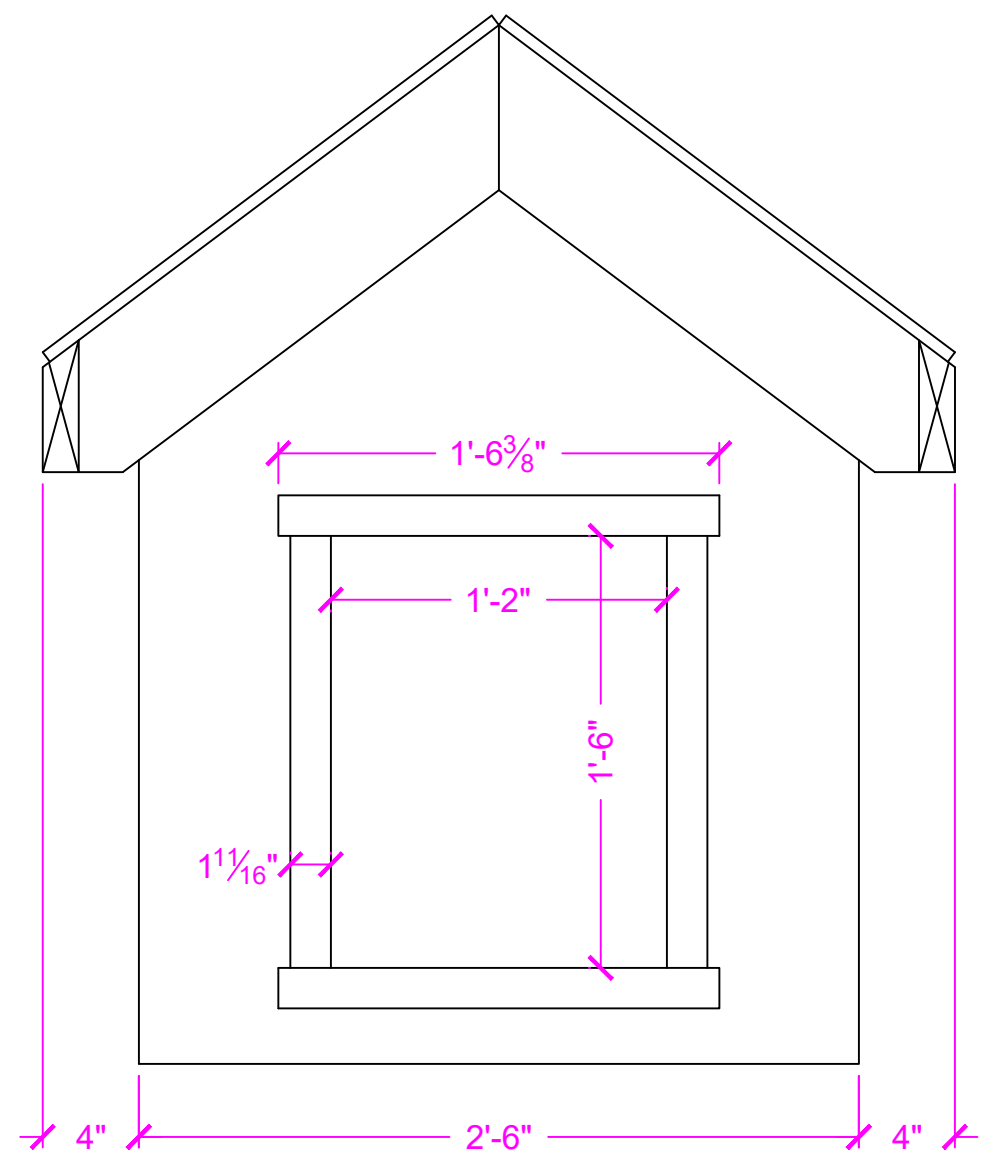


SKILLS CANADA
MANITOBA COMPETITION
RED RIVER COLLEGE

PROJECT: DOG HOUSE
TITLE: ELEVATIONS
SCALE: 1 1/2" = 1'
DATE: MARCH 12, 2016
PAGE: PAGE 1 of 4
DRAWN BY: R. REMPEL



SIDE ELEVATION



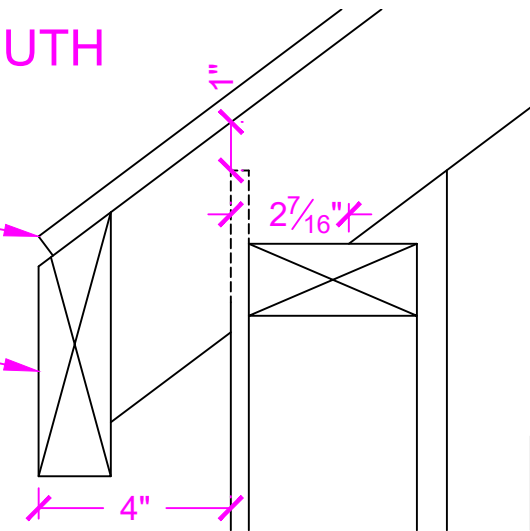
FRONT ELEVATION

FLOOR FRAMING - 5 JOISTS EQUALLY SPACED.
 WALL FRAMING - 4 STUDS EQUALLY SPACED
 ROOF FRAMING - 3 RAFTERS EQUALLY SPACED

BIRD'S MOUTH DETAIL

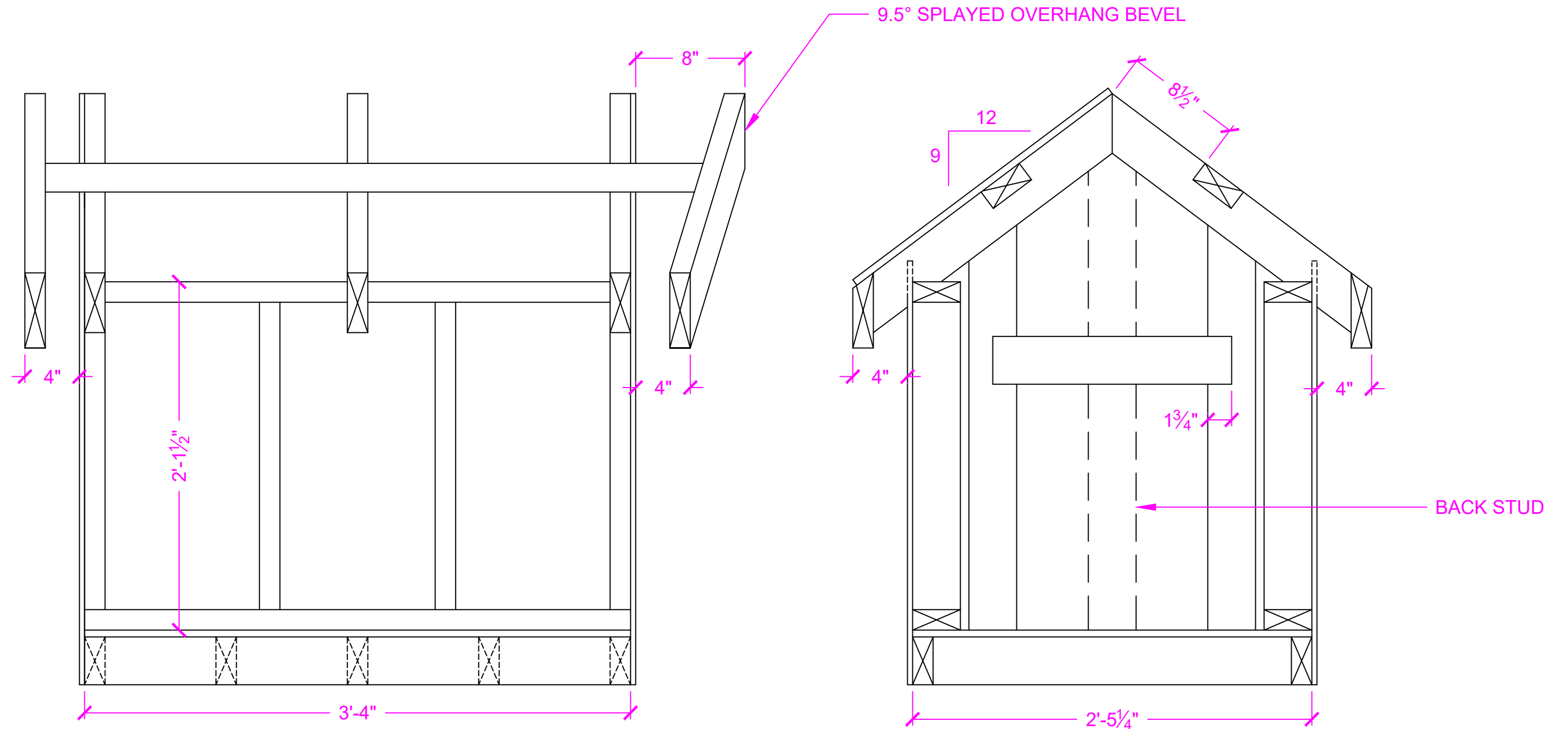
SHEATHING EDGE
 FLUSH WITH FASCIA

PRE-BEVELED 2 X 6



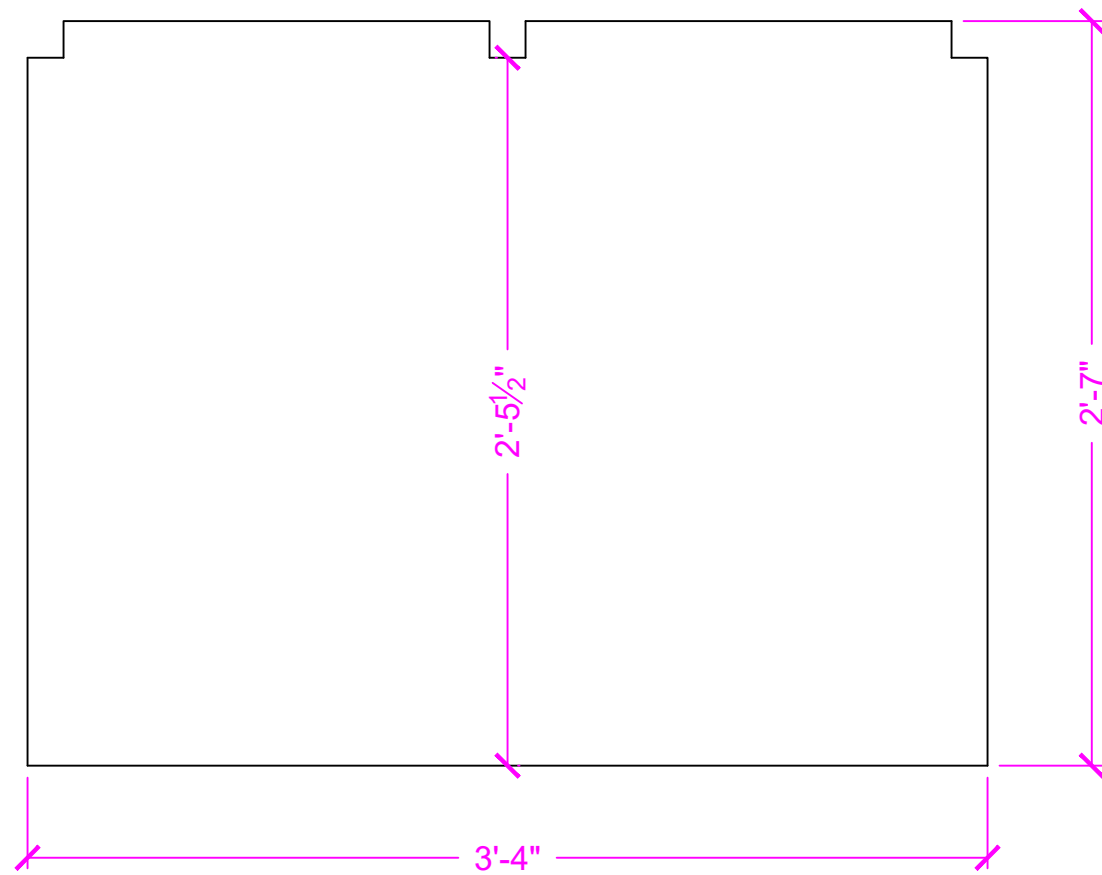
SKILLS CANADA MANITOBA COMPETITION RED RIVER COLLEGE

PROJECT: DOG HOUSE
 TITLE: FRAMING DETAILS
 SCALE: 1 1/2" = 1'
 DATE: MARCH 12, 2016
 PAGE: PAGE 2 of 4
 DRAWN BY: R. REMPEL

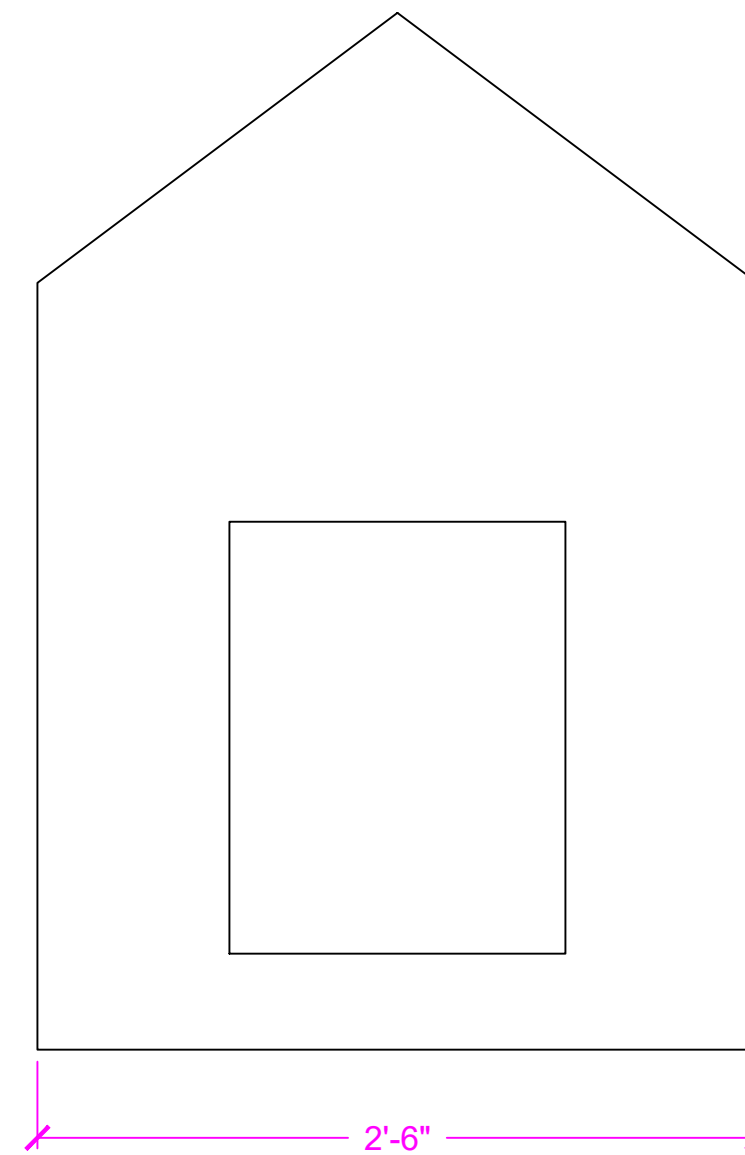


SKILLS CANADA
MANITOBA COMPETITION
RED RIVER COLLEGE

PROJECT: DOG HOUSE
TITLE: CUTTING PLAN
SCALE: 1 1/2" = 1'
DATE: MARCH 12, 2016
PAGE: PAGE 3 of 4
DRAWN BY: R. REMPEL



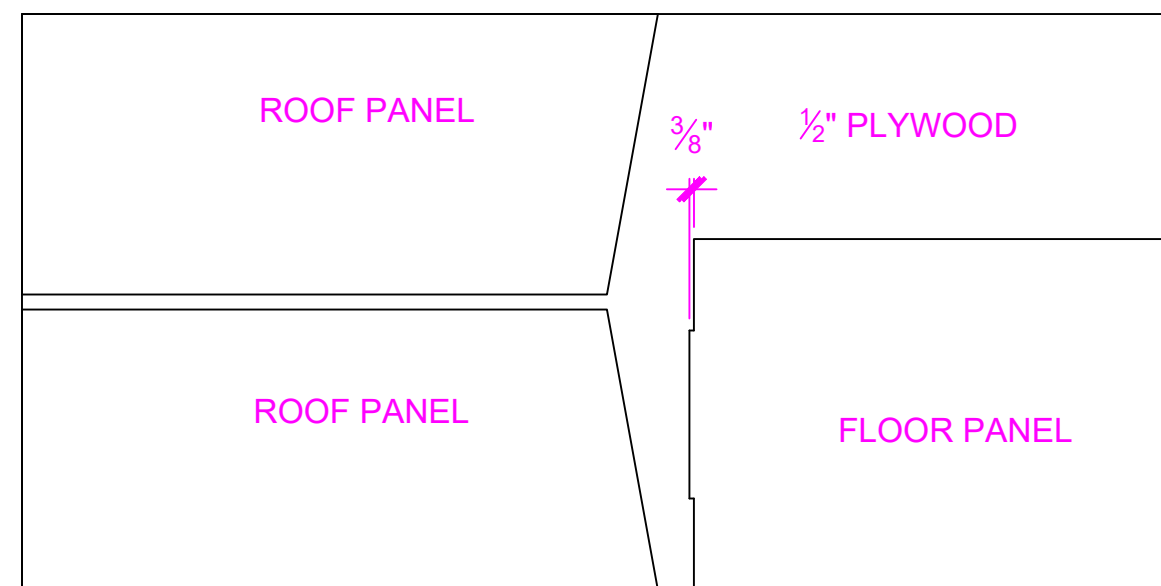
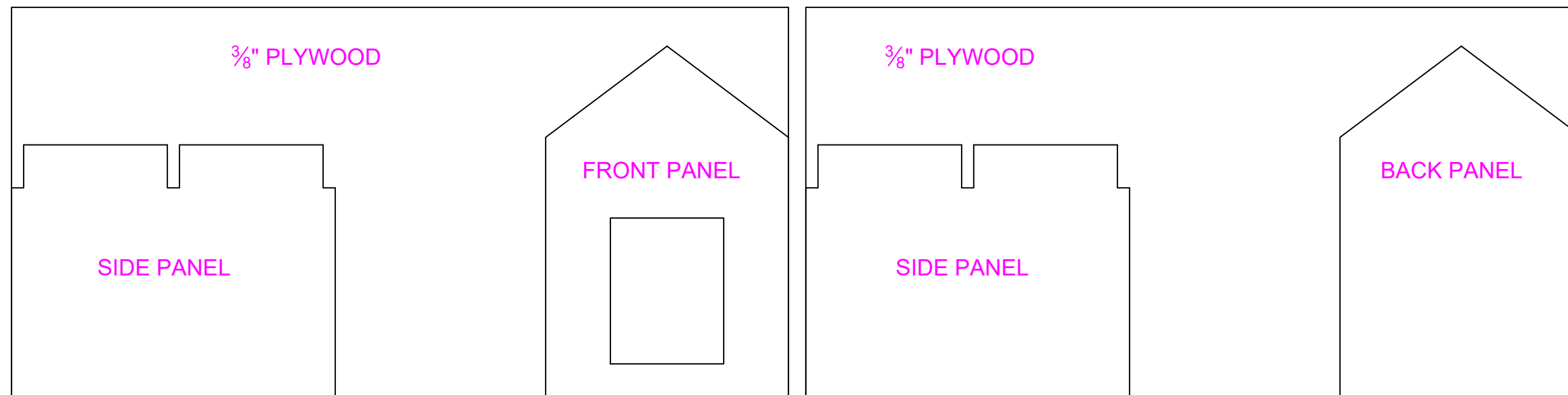
SIDE ELEVATION



FRONT ELEVATION

SKILLS CANADA
MANITOBA COMPETITION
RED RIVER COLLEGE

PROJECT: DOG HOUSE
TITLE: CUTTING PLAN
SCALE: 3/4" = 1'
DATE: MARCH 16, 2016
PAGE: PAGE 4 of 4
DRAWN BY: R. REMPEL



To construct the splayed overhang:

- install the purlin with the correct overhang at the back, but with extra length at the front
- install the roof sheathing aligned at the back, but with extra length at the front
- lay out the splayed overhang on the roof sheathing
- angles and lengths can be taken off of this layout